

Acacia Lutyens Coffee Table Instruction Manual



After Sales Support
Call 0871 911 7031
Email
customerservice@gardengearonline.co.uk
Product Code G2861

Thank you for purchasing this product, which has been made to demanding high quality standards and is guaranteed for domestic use against manufacturing faults for a period of 12 months from date of purchase

For correct usage, please read these instructions carefully before first use and store in a safe place for future reference.



INTRODUCTION

Congratulations

You have made an excellent choice with the purchase of this quality Garden Gear product.

By doing so you now have the assurance and peace of mind which comes from purchasing a product that has been manufactured to the highest standards, performance and safety.

We want you to be completely satisfied with your purchase, so this Garden Gear product is backed by our full 12 month manufacturers guarantee and an outstanding after sales service through our dedicated Helpline.

Register your product for an extended 2-year warranty by visiting our website www.gardengearonline.co.uk. The product must be registered, along with your contact information, within 30 days of purchase. For full terms and conditions please visit our website.

We hope you enjoy using your purchase for many years to come.

General information and safety warnings

- The maximum load weight for this table is 50kgs.
- To be used outdoors only.
- Do not stand on the table surface.
- Only use on an even/level surface.
- Do not allow children to play with or on the table.
- Do not use if damaged.
- Not suitable for commercial purposes.

Before assembly, please check that you have received all the parts as listed below.

Care and maintenance

Your furniture will arrive pre-treated with oil to protect it from general outdoor use. However, we would recommend using a cover or storing inside to protect from the elements; especially through Autumn and Winter.

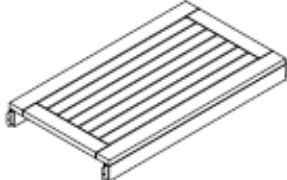
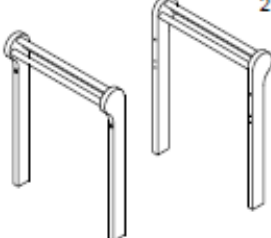

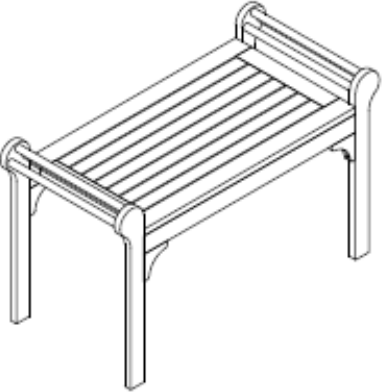

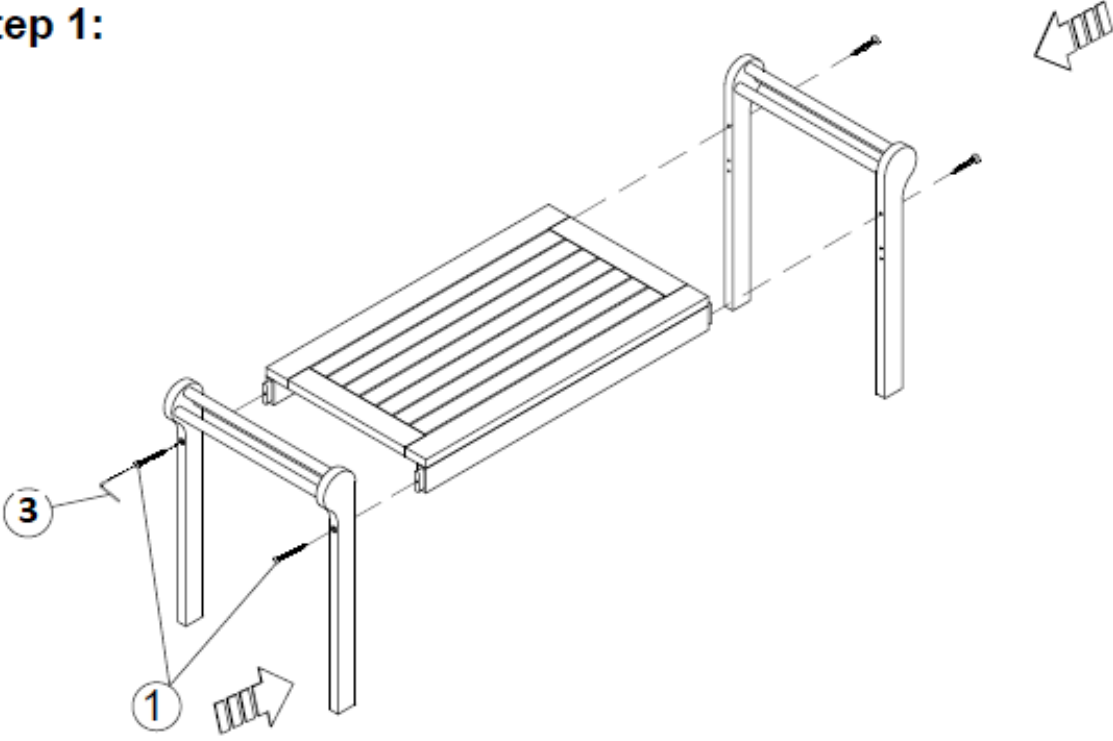
A seasonal cleaning may still be needed. Rinse the table and use a sponge or soft bristle brush to scrub with a mild cleaning solution. Lastly, rinse the furniture with fresh water; never soak or immerse in water.

To maintain the original finish, reapplication of a high-quality oil is recommended.

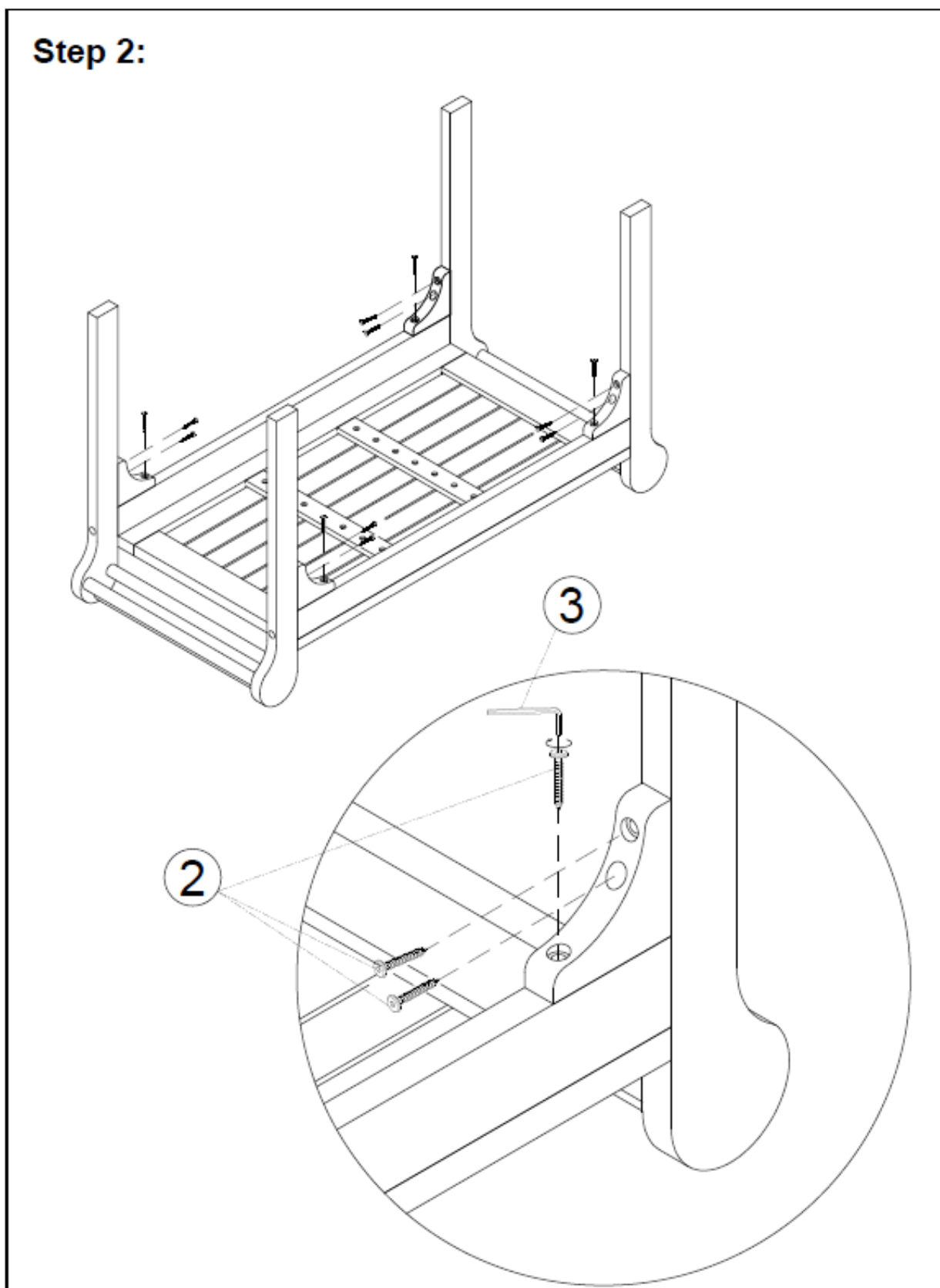
Paint or any products containing Polyurethane are not recommended.

Assembly

Please Note: Loosely attach screws and bolts when assembling. When parts are assembled, tighten the screws and bolts fully. Tightening them up immediately will often cause difficulties in assembly.

PARTS AND FITTING PACKAGING DETAIL			
BOX			
A. TOP 1 PC.	B. Legs 2 PCS.	C. Support Legs 4 PCS	
			
FULLY ASSEMBLED 		HARDWARE* PACKED IN BOX	
		① Allen Head Bolt Ø6 x 80mm 4 pcs.	② Allen Head Screw Ø6 x 35mm 12 pcs.
		③ Allen Wrench 4 x 60mm 2 pcs.	
YOUR BOX MAY CONTAIN EXTRA HARDWARE			
Be sure to check all packing material carefully for small parts, which may have come loose inside the carton during shipment.			
Step 1:			
			

Please Note: Loosely attach screws and bolts when assembling. When parts are assembled, tighten the screws and bolts fully. Tightening them up immediately will often cause difficulties in assembly.



GUARANTEE

IMPORTANT

**Please do not return this product without first calling the Customer Service number below:
0871 911 7031***

Thank you for purchasing this product, which has been made to demanding high quality standards and is guaranteed for domestic use against manufacturing faults for a period of 12 months from the date of purchase.

Register your product for an extended 2-year warranty by visiting our website www.gardengearonline.co.uk. The product must be registered, along with your contact information, within 30 days of purchase. For full terms and conditions please visit our website.

This guarantee does not affect your statutory rights. If your product fails due to a defect in material or workmanship during this period, please return it to the place of purchase. Normal wear and tear is not covered under the guarantee.

Any guarantee is invalid if the product has been misused or subject to neglect or an attempted repair other than by our own service centre.

Due to continuous product improvement, we reserve the right to change the product specification without prior notice.

After Sales Customer Service:

Customer Service Department, Branded Garden Products Ltd, Premier House, Hortonwood 7, Telford, TF1 7GP, UK

Telephone: 0871 911 7031*

E-mail customerservice@gardengearonline.co.uk

Please retain for future reference.

Colours and contents may vary.

*Calls cost 13p per minute, plus your phone company's access charge.